

# RESPONSE RADIANCE

## 3 IN 1 BATHROOM HEATER, EXHAUST FAN & LIGHT

**5\***  
YEAR WARRANTY

**RAPID**  
INSTALL

**POWERFUL**  
AIR FLOW

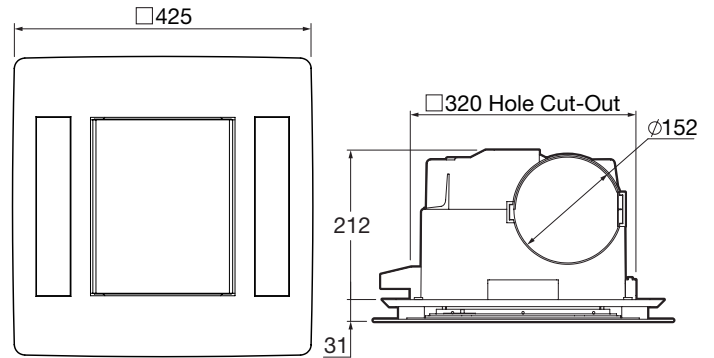
**IPX4**

**BUILT TOUGH**  
FROM ABS

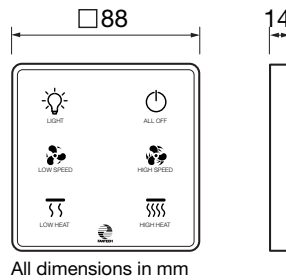
The Response Radiance with heater, exhaust fan and light sets a new benchmark for 3 in 1 bathroom units. Its modern and sleek design will seamlessly compliment any bathroom or ensuite style. It has been engineered to efficiently exhaust steam and odours, deliver instant heat, and provide effective lighting within the room. Its unique design, lightweight construction and full function wireless wall controller, make the Response Radiance easy to install into established or new homes.

- Designed and engineered for fast and efficient installation.
- Modern contemporary design.
- Wireless wall controller activates all operating functions.
- Tungsten-Halogen heat lamps provide instant heating.
- LED lights can be set to cool, neutral or warm white to match other installed lights.
- Equipped with non-return backdraft damper.
- Made from ABS for a tough but light-weight design.
- Fitted with plug and lead.
- Grille can be easily removed for cleaning.

### FAN DIMENSIONS



### CONTROLLER DIMENSIONS



\*Conditions apply. 1 year warranty on the Tungsten-Halogen heat globes. Visit our website or see installation and maintenance instructions for further information.

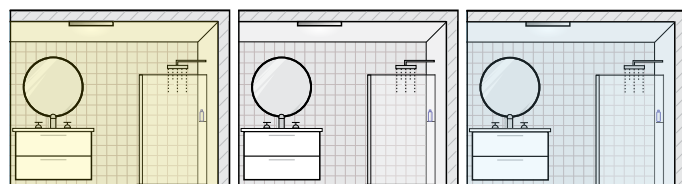


## SPECIFICATIONS

Model	RESP3-1WH	
Air Flow m <sup>3</sup> /h**	High Speed	313
	Low Speed	108
Air Flow L/sec**	High Speed	87
	Low Speed	30
Noise Level dBA @ 3m	High Speed	37
	Low Speed	27
Fan Power	40W	
Light Power	24W	
Heater Power	2 x 500W	
Voltage	230-240V	
Hertz	50	
Light Lumens	1560Lm <sup>†</sup>	
Light Colour Temperature	3000K/4200K/6000K	
IP Rating	IPX4	

\*\* Air flow is measured free air with grille installed.

† On 4200K light colour temperature.



Warm White

(Colour Temperature: 3000K)

Neutral White

(Colour Temperature: 4200K)

Cool White

(Colour Temperature: 6000K)

Colour indicated in drawings above is for illustrative purposes only.

## ENGINEERED TO COMPLIMENT ROOM SHAPE

Grille can be rotated 90 degrees so the alignment of LED lights and heat lamps can better suit shape of the room. This enables spigot and ducting to remain parallel to ceiling joists and avoid kinks or sharp bends in duct.

