

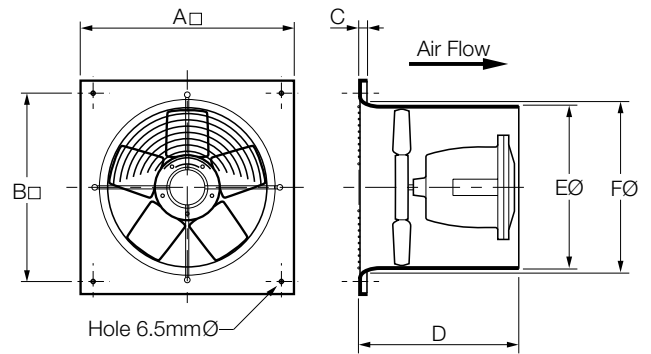
FLAMEPROOF SQUARE PLATE SERIES

WALL MOUNTED FANS



The Flameproof Square Plate axial fans have been specifically designed to meet the needs of ventilation applications in hazardous or explosive environments. They are ideal for wall mounting but can be mounted at any angle and on the ceiling if required. There are 4 sizes in the range extending from 250 to 400mm diameter.

- Robust galvanised steel square plate with white powder coated finish.
- Axial impeller has glass reinforced anti-static blades.
- Fitted with high strength guards to reduce the risk of objects entering fan.
- Suitable for ducted installations.
- Motors comply with Ex d, Group II, Zone 1, T6 protection.



MODEL NO.	A	B	C	D	E	F
FPSP254	340	300	12	252	262	264
FPSP304	420	380	12	252	313	325
FPSP354	480	440	12	252	363	375
FPSP404	540	490	12	252	410	420

All dimensions in mm

MODEL FPSP..	AIR FLOW M^3/HR	FAN SPEED REV/SEC	AVG. dB(A) @ 3M	FPSP.. WATTS	1PH. AMPS	APPROX. WEIGHT KG
254	612	23	45	120	1	12
304	1332	23	48	120	1	13
354	1800	23	50	120	1	14
404	3384	23	52	120	1	16

NOTE

A Hazardous Motor Confirmation form, S12, will need to be signed prior to an order as proof of zone and gas group classification. Call Fantech Trade for this form upon ordering.