



TEV RANGE

EXTRACTION FAN



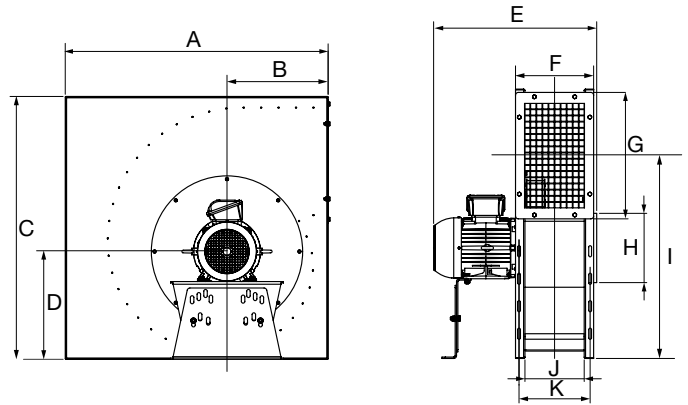
The TEV series of ventilation fans are designed to be used as central fans. They are fitted with lightweight aluminium impellers making them ideal for large extraction systems with multiple points. Can be used for the removal of welding fumes, oil mist, dust or vehicle exhausts. These high efficiency, energy saving fans are easy to mount, and are controllable with a frequency inverter.

- High performance, energy efficient operation.
- Compact design allows for operation in limited spaces.
- IP55 rated; sufficient protection against dust, and can withstand high pressure water cleaning.
- Can be rotated 90°.
- Also available with 500 and 560mm diameter fan wheel.

ACCESSORIES

MOTOR PROTECTION SWITCH

| PRODUCT CODE | PLY-MPS-1.6-2.5 | PLY-MPS-4.0-6.3 |
|-------------------|-----------------|-----------------|
| Suitable for | PLY-TEV-385 | PLY-TEV-585 |
| Amps | 1.6 – 2.5A | 4.0 – 6.3A |
| Temperature Range | -5°C – 40°C | -5°C – 40°C |
| Protection Class | IP55 | IP55 |



| | PLY-TEV-385 | PLY-TEV-585 |
|-----------------------|-------------|-------------|
| A | 640mm | 783mm |
| B | 285mm | 339mm |
| C | 640mm | 783mm |
| D | 267mm | 310mm |
| E | 446mm | 532mm |
| F | 230mm | 270mm |
| G | 312mm | 380mm |
| H | Ø162mm | Ø200mm |
| I | 477mm | 602mm |
| J | 160mm | 200mm |
| K | 204mm | 244mm |
| Fan wheel (not shown) | Diameter | Ø315mm |
| | Width | 85mm |

| PRODUCT CODE | PLY-TEV-385 | PLY-TEV-585 |
|------------------------------|-------------|-------------|
| Air Flow m ³ /hr* | 2,250 | 5,900 |
| Fan Speed Rev/Sec | 47 | 47 |
| Avg dB(A)† | 80 | 86 |
| Power | 0.75kW | 2.2kW |
| Volts | 415V | 415V |
| Protection Class | IP55 | IP55 |
| Weight | 32kg | 51kg |

*Approx. air flow at 500 Pa static pressure
 †Duct connected on pressure and suction side