

SYSTEMAIRE

KITCHEN EXHAUST FANS

IP55

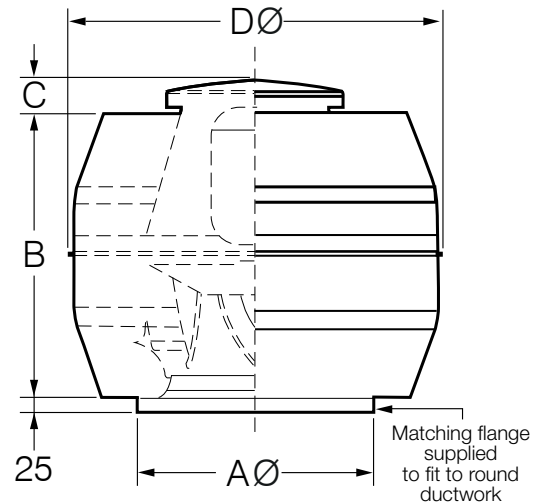
**ULTRA
QUIET**

**POWERFUL
AIR FLOW**

Systemaire commercial kitchen exhaust fans provide powerful performance, energy efficiency and quiet operation. They have been designed and tested by our own Fantech engineering team and have proven to be up to 9dB(A) quieter, and produce up to 35% more air flow than other equivalent kitchen exhaust fans.

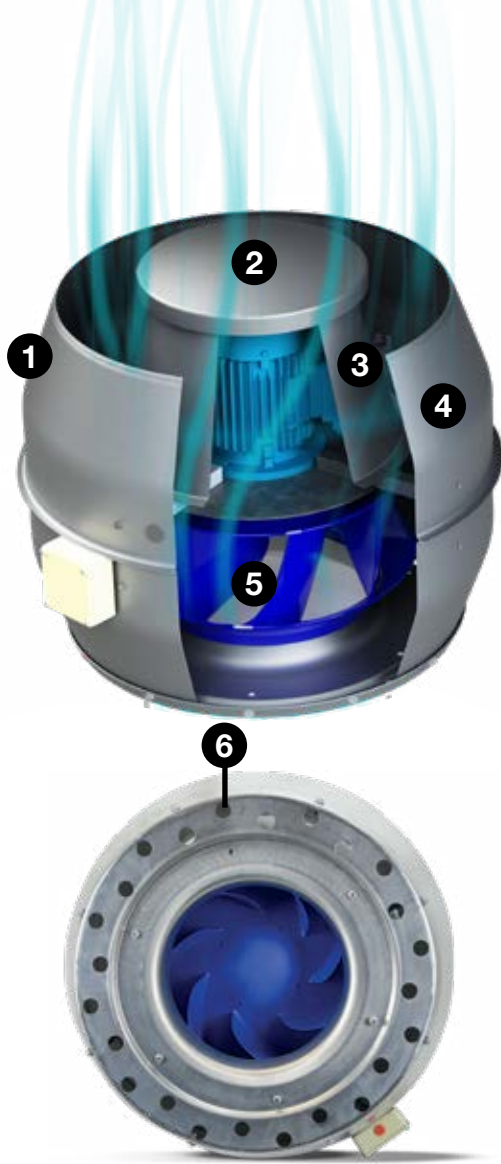
These high performance kitchen exhaust fans are available in 250, 300, 380 and 460mm fan inlet sizes.

- Can produce up to 88% more pressure and be up to 9dB(A) quieter than equivalent kitchen exhaust fans currently on the market.
- Greater number of drainage holes included around base to prevent water build-up.
- Lightweight design for easier handling and installation.
- Supplied with matching flange for quick installation to suit standard round Spiro duct.
- Can be used with smaller duct sizes as the fan can handle high pressure levels.
- Designed to handle clean air, grease laden air, toxic and noxious gases.
- Advanced mixed flow impeller design provides high air flow performance with low noise levels.
- Designed for small to medium sized commercial kitchens in restaurants, cafés and take away food outlets.



MODEL NO.	A	B	C	D	APPROX. WEIGHT KG*
KU_25	260	443	53	580	14
KU_30.L	312	443	53	580	14
KU_30	312	554	16	730	22
KU_38	384	554	39	730	27
KU_46	464	554	64	730	30

* Unit weights depend on the make of motor used. If critical this should be referred to our sales department at time of order.



COMPONENTS

- 1 Aerodynamic shaped cowl for smoother air flow, reduced turbulence and increased fan performance.
- 2 Weather and contaminant proof enclosure for maximum motor protection.
- 3 Smaller exhaust opening than traditional kitchen exhausts fans reduces exposure to rain.
- 4 Removable wind band for easy cleaning and maintenance.
- 5 High performance mixed flow impeller provides quieter operation with better air flow and higher pressure development.
- 6 Greater number of drainage holes included around base to prevent water build up.

MODEL NO.	FAN SPEED REV/SEC	L/SEC*	M ³ /HR*	Phase	KW	AMPS	AVG. dB(A) @3M	
							INLET SOUND	OUTLET SOUND
KUD254	24	480	1728	Three	0.25	0.75	44	48
KUE254	24	480	1728	Single	0.18	1.4	47	51
KUD304L	24	700	2520	Three	0.25	0.75	46	50
KUE304L	24	700	2520	Single	0.18	1.4	45	49
KUD304	24	800	2880	Three	0.25	0.75	44	48
KUD306	16	500	1800	Three	0.25	1.32	34	38
KUE304	24	800	2880	Single	0.18	1.4	45	50
KUE306	16	500	1800	Single	0.25	2.5	36	40
KUD384	24	1640	5940	Three	0.75	1.94	51	56
KUD386	16	1000	3600	Three	0.37	1.32	41	45
KUE384	24	1640	5940	Single	0.75	4.8	50	54
KUE386	16	1000	3600	Single	0.37	2.5	40	44
KUD464	24	2250	8100	Three	1.1	2.57	54	60
KUD466	16	1330	4788	Three	0.37	1.32	42	48
KUE464	24	2250	8100	Single	1.1	6.6	53	59
KUE466	16	1330	4788	Single	0.37	2.5	43	49

* Air flows are approximate only and based on 30 Pa static pressure.

VARIABLE SPEED DRIVES DANFOSS VLT - HVAC BASIC



The VLT - HVAC Basic is a dedicated drive that is easy to install, and features a trouble-free set up which ensures it is fast and efficient to commission. It incorporates a highly effective heat management system that makes it ideal for demanding environments and where drive space is restricted.

FEATURES

- User friendly interface with start-up wizard for quick and easy configuration.
- Integrated PI controller for smooth variable speed control.
- EMC filters to remove electromagnetic interference and lower harmonic levels.
- Fire mode function with quick start wizard.
- Available as IP54 rated.

DANFOSS VLT - MICRO



The VLT - Micro drive has been designed for applications where simplicity and efficiency are key requirements. The compact size of the enclosure with forced cooled heat sink allows the drive to be installed into confined spaces.

FEATURES

- Interface with start-up wizard for quick and easy configuration.
- EMC filters to remove electromagnetic interference and lower harmonic levels.
- Available as IP20 (with optional IP21 kit).
- Optional 1ph input to 3 phase output (0.18 - 2.2kW).

WALL PLATE SPEED CONTROLLERS



2-speed rotary switch (TSS1-15).
Use with VSD,
415V, 3PH units



0-10V speed controller (DCV-POT10K-WM)
Use with VSD,
415V, 3PH units



Variable speed controller (VA2.0, VA5.0, VA8.0 for
240V, 1PH, 4 pole units)