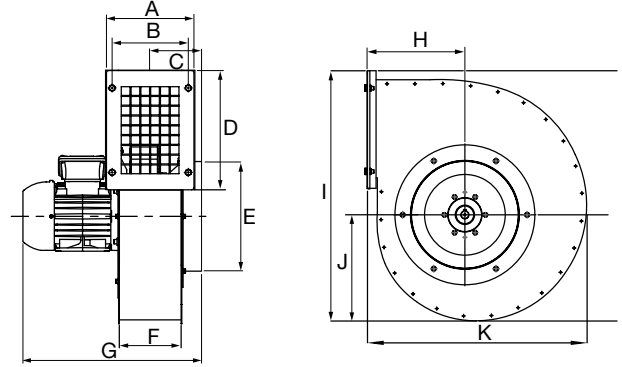


PLY-FUA-1800/2100



PLY-FUA-3000/4700

FUA RANGE

EXTRACTION FAN



The Plymovent high performance FUA series extraction fans are fitted with lightweight aluminium impellers. Designed for mounting onto Plymovent extraction arms, filter units and vehicle exhaust extraction systems. Can also be used as a central fan. The FUA series has been specially designed to remove vehicle exhaust, welding fumes, oil mist and dust.

- High performance low noise operation.
- Compact design allows fan to work in limited spaces.
- IP55 rated; sufficient protection against dust, and can withstand high pressure water cleaning.
- Casing made from durable powder coated galvanised steel.
- Optional mounting bracket allows fan to be mounted in different positions.
- Motor Protection Switch (MPS) also available. Provides thermal and magnetic protection of AC and DC motors.

ACCESSORIES

MOTOR PROTECTION SWITCH

PRODUCT CODE	PLY-MPS-1.0-1.6	PLY-MPS-1.6-2.5	PLY-MPS-2.5-4.0	PLY-MPS-4.0-6.3
Suitable for	PLY-FUA-1800	PLY-FUA-2100	PLY-FUA-3000	PLY-FUA-4700
Amps	1.0 – 1.6A	4.0 – 6.3A	2.5 – 4.0A	4.0 – 6.3A
Temperature Range	-5°C – 40°C	-5°C – 40°C	-5°C – 40°C	-5°C – 40°C
Protection Class	IP55	IP55	IP55	IP55

MOUNTING BRACKET

PRODUCT CODE	PLY-MB-FUA-S1	PLY-MB-FUA-S2
Suitable for	FUA-1800 and FUA-2100	FUA-3000 and FUA-4700

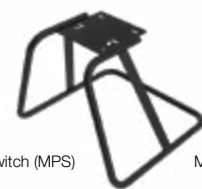
	PLY-FUA-1800	PLY-FUA-2100	PLY-FUA-3000	PLY-FUA-4700
A	68mm	68mm	201mm	205mm
B	Ø159mm	Ø159mm	175mm	175mm
C	122mm	122mm	118mm	117mm
D	330mm	353mm	274mm	348mm
E	455mm	455mm	Ø250mm	Ø245mm
F	244mm	244mm	142mm	142mm
G	Ø160mm	Ø160mm	410mm	480mm
H	433mm	433mm	228mm	258mm
I	201mm	201mm	583mm	733mm
J	-	-	247mm	297mm
K	-	-	512mm	591mm

Product Code	PLY-FUA-1800	PLY-FUA-2100	PLY-FUA-3000	PLY-FUA-4700
Air Flow m ³ /hr*	1,418	1,897	3,088	4,422
Fan Speed Rev/Sec	47	47	47	47
Avg dB(A)†	64	66	68	76
Power	0.55kW	0.75kW	1.1kW	2.2kW
Amps	1.5/1.4A	2/1.9A	2.7/2.5A	4.9/4.8A
Volts	415V	415V	415V	415V
Protection Class	IP55	IP55	IP55	IP55
Weight	12.3kg	16.4kg	21.9kg	34.5kg

*Approx. air flow at 0 static pressure
†Duct connected on pressure and suction side



Motor Protection Switch (MPS)



Mounting Bracket (MB)