



COMPACT PORTABLE COOLING FANS

COOLER SERIES

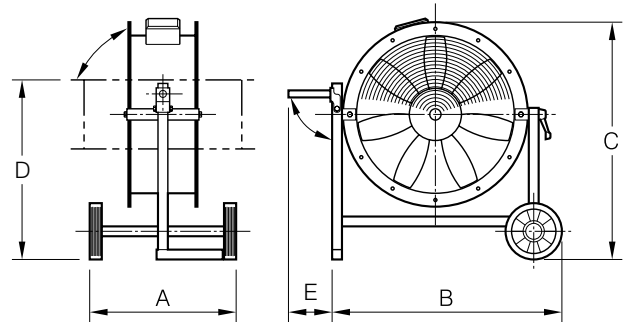


The Compact Cooler series of portable fans is designed to increase comfort and lift productivity by providing relief for people working in warm to hot locations. They deliver large volumes of air and include wheels and handles to ensure easy manoeuvrability.

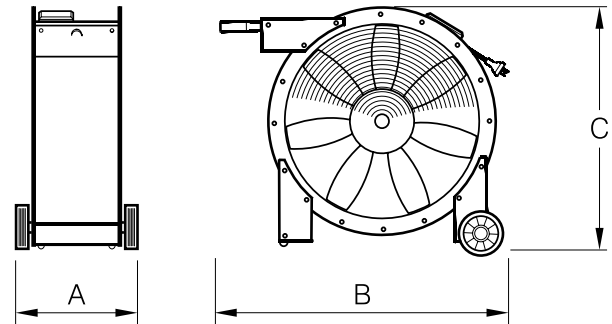
- Versatile models can be tilted up or down to direct air where it is needed most.
- Built-in wheels and handle make them easy to manoeuvre.
- Compact, slim design allows operation and storage in limited spaces.
- Conveniently passes through a standard doorway.
- Improves people's comfort level and productivity in hot conditions.
- Can also be used for cooling equipment and products quickly and efficiently.
- Efficient and quiet aerofoil axial flow impeller.
- Operating temperature ranges from -20°C to +70°C.
- Weatherproof switch fitted as standard.

ACCESSORIES

- FMK3 - 3 nozzle misting kit.
- FMK5 - 5 nozzle misting kit.
- FMK7 - 7 nozzle misting kit.



Versatile models - CCE404 & CCE564



Standard Model CCS564

MODEL NO.	A	B	C	D	E	WEIGHT KG
CCE404	440	615	745	585	150	21
CCE564	540	820	845	640	150	40
CCS564	348	822	683	-	-	26

All dimensions in mm

MODEL NO.	AIR FLOW M ³ /HR	FAN SPEED REV/SEC	AVG. dB(A) @ 3M	CCE/S.. 1 PH	
				KW	AMPS
CCE404	5220	24	47	0.25	1.80
CCE564	12312	24	58	0.75	4.90
CCS564	12312	24	58	0.75	4.90