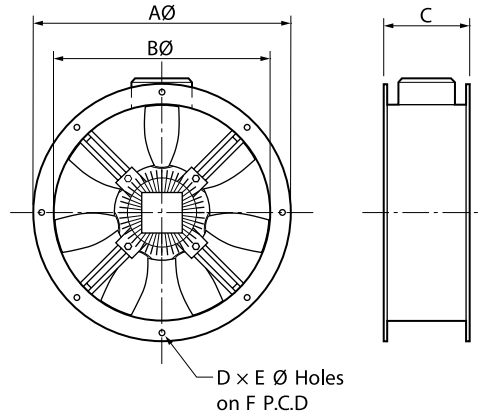




# SHORT CASE

## IN-LINE DUCT MOUNTED FANS



The Short Case Axial Series has a light-weight, but robust construction and is designed for exhaust and supply air ducted systems in commercial and industrial applications.

- Compact, short cased design.
- Light-weight but robust construction
- An electrical junction box is fitted as standard.
- Capable of operating in ambient temperatures ranging from -20°C to +70°C.
- Can be mounted in any position.
- Available in single and three phase:
  - 230V, Single phase, 50Hz.
  - 415V, Three phase, 50Hz.

### ACCESSORIES

- Mounting Feet (CFT..).
- Inlet Cones (CIC..S).
- Matching Flanges (CMF..).
- Finger Guards (DG..).
- Electronic Speed Controller
  - VA2.8 (for single phase only).

MODEL NO.	AØ	BØ*	C	D	EØ	F	KG**
<b>SCD254, SCE254</b>	305	250	180	8	7	285	8
<b>SCD314, SCE314</b>	382	315	180	8	9.5	356	8.5
<b>SCD354, SCE354</b>	421	350	180	8	9.5	395	9
<b>SCD404, SCE404</b>	466	400	190	12	9.5	438	12
<b>SCD454, SCE454</b>	515	450	190	12	9.5	487	14

\* Dimension BØ is internal for the casing  
 'SCD' denotes three phase, 'SCE' denotes single phase.  
 All dimensions in mm  
 \*\*Refers to weight (kg)

MODEL NO. SCD.. SCE..	FAN SPEED REV/ SEC	M <sup>3</sup> / HR	L/ SEC	AVG. dB(A) @ 3M	SCE.. 1 PH.		SCD.. 3 PH.	
					KW	AMPS	KW	AMPS
<b>254</b>	23	983	273	39	0.09	0.90	0.12	0.50
<b>314</b>	23	2099	583	42	0.09	0.90	0.12	0.50
<b>314HP</b>	23	1958	544	49	0.09	0.90	0.12	0.50
<b>354</b>	23	2686	746	45	0.09	0.90	0.12	0.50
<b>354HP</b>	23	2513	698	52	0.09	0.90	0.12	0.50
<b>404</b>	23	4777	1327	47	0.25	1.80	<b>0.37</b>	<b>1.40</b>
<b>404HP</b>	23	4324	1201	54	0.25	1.80	<b>0.37</b>	<b>1.40</b>
<b>454</b>	23	5789	1608	50	0.25	1.80	<b>0.37</b>	<b>1.40</b>
<b>454HP</b>	23	5695	1582	57	0.25	1.80	<b>0.37</b>	<b>1.40</b>

Electrical data in **bold** type denotes 2-speed star/delta motors are fitted.  
 Amperages shown are a guide only. Refer to our Sales Department for accurate figures at time of order.

See page 114 for performance curves.

When being speed controlled the ambient must not exceed 50°C.

Contact your local Fantech branch for more information.