

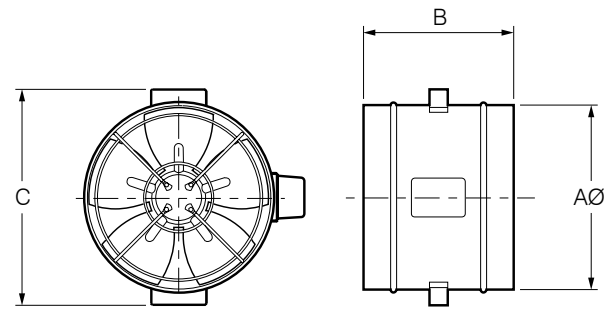


Metal construction model (MTS)



Plastic construction model (MTP)

A light-weight and yet robust in-line fan available with either plastic or steel casing.



MINITUBE

IN-LINE DUCT MOUNTED FANS



The Minitube Series of duct mounted axial fans is suitable for domestic, commercial and industrial ventilation applications. Available in sizes ranging from 200 to 350mm diameter.

- Choice of two light-weight but robust housing materials, metal or injection moulded plastic.
- Good range of speeds available.
- Can be speed controlled.
- Can be mounted in any position.
- All models feature high strength powder coated steel impellers.
- Manual reset protection fitted at standard.
- 3 pin plug and lead fitted in the plastic model.

ACCESSORIES

- VA2.0 Speed Controller.
- Flexible Duct - Fire Rated AS/NZS 4254.
- Backdraft Dampers.
- Internal & External Grilles.

MODEL NO.	AØ	B	C	KG**
MTP202, MTP204	197	250	270	2.1
MTS202, MTS204	206	250	236	3.5
MTP252, MTP254	247	250	320	2.7
MTS252, MTS254	260	250	296	4.0
MTP302, MTP304, MTP306	297	250	370	3.5
MTS302, MTS304, MTS306	311	250	346	4.8
MTS354, MTS356	363	250	405	5.1

MTP denotes ABS injection moulded plastic casing
 MTS denotes powder coated steel casing
 All dimensions in mm
 **Refers to weight (kg)

MODEL NO. MT...	FAN SPEED REV/SEC	AVG. dB(A) @ 3M	MTP/S.. 1 PH.		MAX. °C
			WATTS	AMPS*	
P/S202	43	52	70	0.36	50
P/S204	24	39	30	0.14	60
P/S252	42	51	110	0.63	50
P/S254	23	40	60	0.28	60
P/S302	41	62	180	0.79	50
P/S304	22	47	90	0.41	50
P/S306	16	37	50	0.23	50
S354	20	49	140	0.68	50
S356	16	40	110	0.48	50

See page 114 for performance curves.