



## FANS

JetVent Model No...	Description
JIU-CPCEC-HP	High Performance
JIU-CPCEC-SD	Standard
JIU-CPCEC-LH	Low Height
JIU-CPCEC-USD	Ultra Standard
JIU-CPCEC-ULH	Ultra Low Height

## CONTROLLERS

Controller Model No...	Description
DCV-CU-MAX1	Aviator MAX car park controller
DCV-CU-EXPANSION1	Expansion module

# JETVENT

## CAR PARK VENTILATION SYSTEM



A JetVent car park impulse ventilation system is an innovative alternative to traditional distribution ductwork systems. These energy efficient fans are designed to clear harmful pollutants from enclosed or semi enclosed car parks. They feature advanced digital EC motor technology with integrated speed control, doing away with VSDs, current overloads and motor phase protection.

JetVent Ultra Series are the newest addition to the Digital EC range. They feature an innovative and high performance mixed flow impeller with highly efficient blade geometry. Their fully optimized and compact design produce powerful thrust without increasing noise levels.

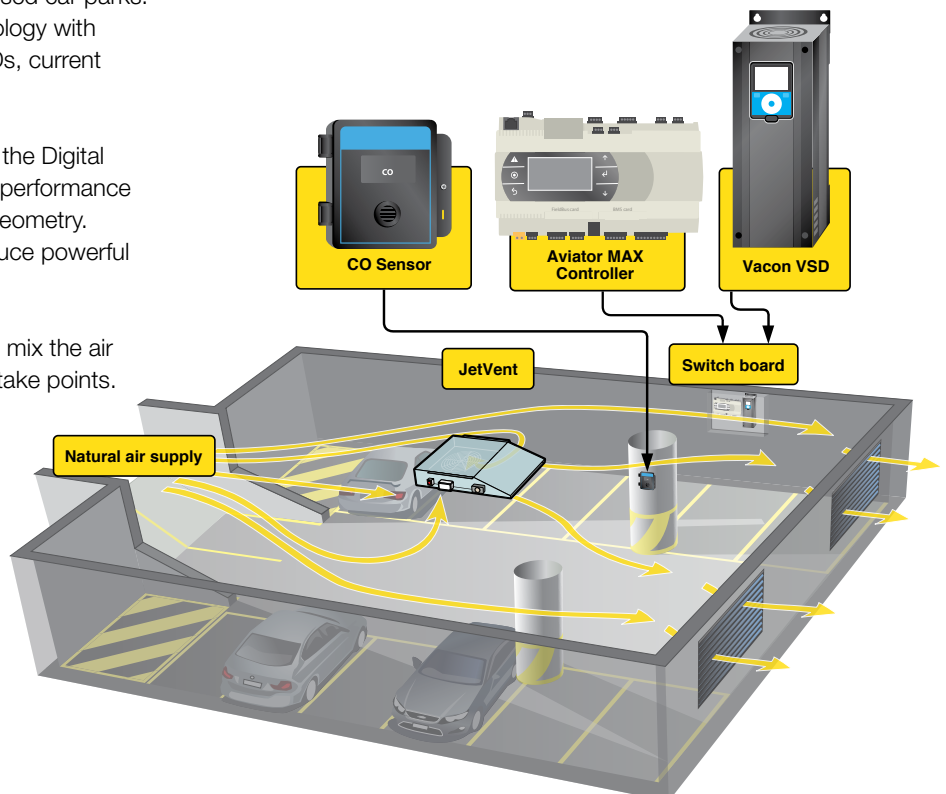
JetVent fans are positioned within the space to mix the air and direct it towards the main extraction fan intake points. The system also provides constant air movement ensuring harmful pollutants do not gather in dead areas.

Please contact your local Elta Fans Applied Technology branch to find out how a JetVent impulse ventilation system could suit your car park.

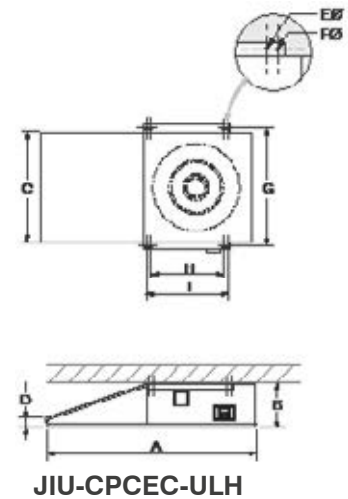
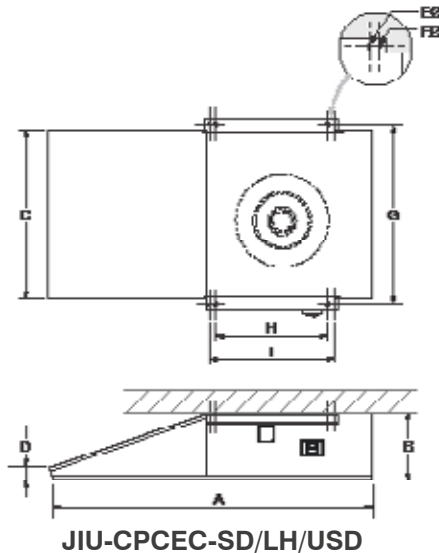
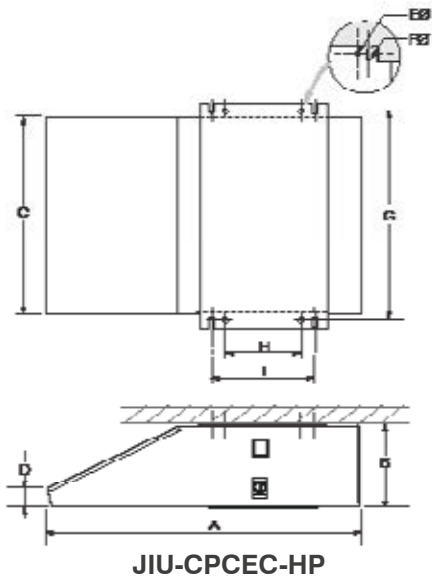
## AVIATOR MAX

### COMMERCIAL CAR PARK CONTROLLER

The Aviator MAX Control System is a tailored solution designed to efficiently manage the car park ventilation equipment. It can be configured to control a duct-free JetVent Ventilation system or a traditional ducted network in digital or analogue modes. Aviator MAX has been developed to increase the energy efficiency of a car park, while ensuring the ventilation output is optimised.



# DIMENSIONS



Product Code	A	Vertical Height B	C	D	E	F	G	H	I	Approx. Weight kg
JIU-CPCEC-HP	1833	492	1151	110	30	16	1240	450	600	160
JIU-CPCEC-SD	1745	370	906	68	25	13	973	605	675	89
JIU-CPCEC-LH	1745	322	906	68	25	13	973	605	675	89
JIU-CPCEC-USD	1745	370	906	68	25	13	973	605	675	89
JIU-CPCEC-ULH	1040	262	488	55	20	12	537	350	410	26

All dimensions in mm

# PERFORMANCE DATA

Product Code	Fan Speed		Thrust Rating		Car park Installed Noise Levels		Free-field Noise Rating		Power Consumption		Current		Input Power
	rpm		N		dB(A) @ 8m <sup>†</sup>		dB(A)@3m <sup>**</sup>		kW		A		
	High speed	Pre-set speed*	High speed	Pre-set speed*	High speed	Pre-set speed*	High speed	Pre-set speed*	High speed	Pre-set speed*	High speed	Pre-set speed*	
JIU-CPCEC-HP	1230	858	91.8	48.2	75.2	65.0	65.8	56.5	2.9	1.0 <sup>~</sup>	4.8	1.6	415V
JIU-CPCEC-SD	1770	1296	52.2	28.4	72.4	65.0	64.4	56.7	1.7	0.7 <sup>~</sup>	2.9	1.1	415V
JIU-CPCEC-LH	1770	1120	46.8	18.9	76.4	65.0	68.7	56.7	1.7	0.4 <sup>~</sup>	2.9	0.8	415V
JIU-CPCEC-USD	1450	1400	38.9	36.5	66.5	65.0	58.3	56.7	1.1	1.1	1.8	1.8	415V
JIU-CPCEC-ULH	2100	2100	23.0	23.0	64.8	64.8	56.8	56.8	0.56	0.56	2.8	2.8	240V

<sup>†</sup> Car park installed noise levels apply 8m away from the fan with multiple fans operating.

<sup>\*\*</sup>Free-field noise rating applies 3m away from the fan with multiple fans operating.

Contact your nearest Elta Fans Applied Technology office to confirm if this is applicable to your installation.

<sup>~</sup> Estimated power consumption.

\* Pre-set speed so fan does not operate above the AS2107:2000 recommended noise level of 65dB(A) @ 8m.