

JETVENT

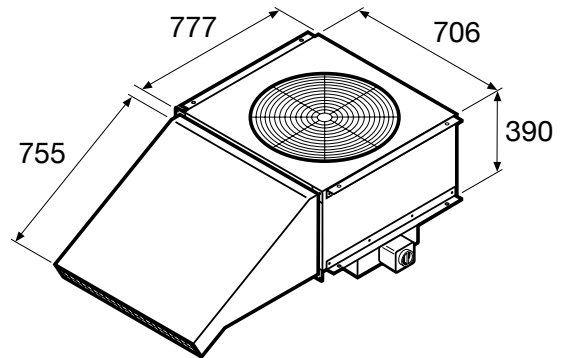
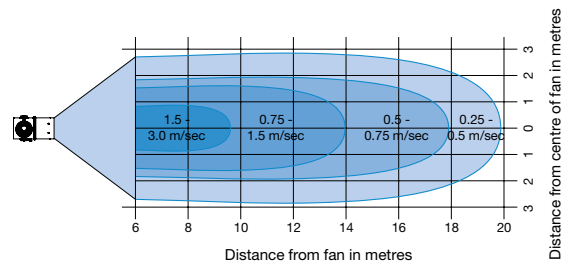
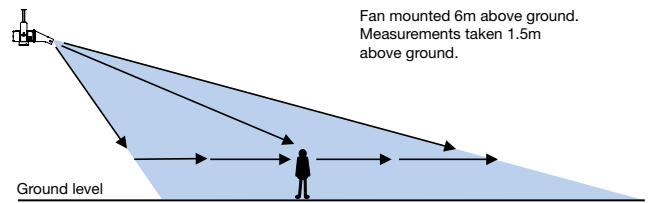
AIR MOVER



Designed to provide air movement in large enclosed areas such as warehouses and recreation facilities. Suspended from the ceiling, it aids the natural cooling process of the human body at floor level and creates a fresher environment that is more comfortable to be in.

- Long lasting galvanised steel body with grey powder coated finish.
- Eliminates the build-up of hot, stagnant and polluted air.
- Its gentle breeze creates less disturbance to the working environment.
- High level mounting position avoids plant operation interference.
- Adjustable discharge nozzle and air flow direction.
- Available with single and three phase motors.
- Single phase unit is speed-controllable and supplied with 3-pin plug and lead. Three phase unit can be speed controlled by using a Star/Delta optional 2-speed switch.
- For installations where unit is close to ceiling, model with inlet on the underside face is available.

VELOCITY PROFILE



Model No.	Speed Setting	Discharge Thrust	Avg. Db(A) @ 3M	Volts	kW	Amps	App Wt. Kg**
JVWD6	High	12N	54	415	0.69	1.45	85
	Low	3N	50		0.39	0.79	
JVWE6	-	12N	54	240	0.84	4.10	

All dimensions in mm
**Refers to weight (kg)