



White (RAPJET-W)



Silver (RAPJET-S)

RAPID DRY JET

HAND DRYERS



These ultra powerful units are equipped with digital circuit controls and advanced infrared auto sensing technologies. Users simply operate the unit by placing their hands in a comfortable position within the unit. They require minimal maintenance and are available with a white or silver coloured front face.

- Advanced infrared auto sensing technology.
- Hygienic hands free operation for heavy duty high traffic use.
- Concentrated air flow for rapid drying times.
- Includes excess water tray that can be easily removed for emptying.
- Easy to clean stylish casing with ergonomic design.
- Water resistant design for a longer lifespan.
- Unique high speed motor for low power consumption.
- Warm or cold air function.
- Plug and lead included as standard.
- Auto-reset internal thermal protection.
- Electrical Test Standard: AS/NZS 60335.1:2011 incl. Amdts. 1-3 AS/NZS 60335.2.23:2012.

ENERGY SAVING

The Rapid Dry Jet features a unique high-speed motor that has a low overall power consumption, concentrated air flow and a quick drying process. It is programmed to cease operation after a standard drying time has been reached to reduce energy consumption.

SAFE

The Rapid Dry Jet smart hand dryer has multiple safety features that protect the unit against over heating and electrical surges. The user is kept safe and the hand dryer is protected. It also features an excess water tray that helps to minimise water landing on the floor.



STRONG

The robust, streamline casing protects the technology within, while being easy to maintain and clean.

HYGIENIC

Its easy to clean design, non-touch operation and anti-bacterial filter makes the Rapid Dry Jet perfect for areas with strict hygiene requirements.

It also comes with a brush to clean the water tray drain hole.





Top View (White Model)

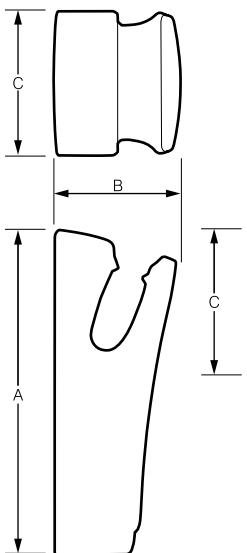
ERGONOMIC & STYLISH

Designed to be aesthetically appealing, the Rapid Dry Jet will keep your washroom looking modern. To use the unit, simply place hands in the drying area and move them up and down. Hands will be dry in seconds.



SMART

Accurate and reliable air control is a result of a built in smart microchip and advanced infrared technology. The hygienic hands free operation automatically starts when the sensor is triggered. The unit will stop operation as soon as hands move away.

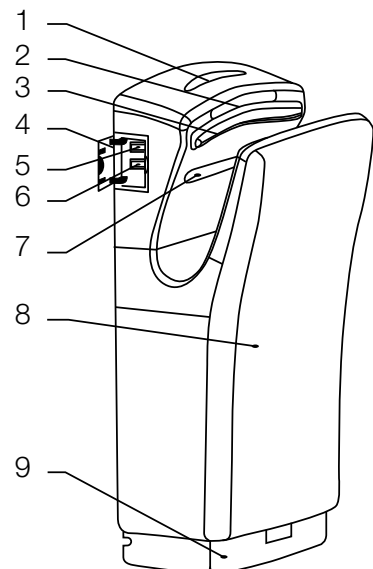


| MODEL NO. | FRONT FACE COLOUR | M ³ /HR | AVG. dB(A) @ 3M | IP RATING | VOLTS | KG** | RATED POWER | A | B | C |
|-----------|-------------------|--------------------|-----------------|-----------|-------|------|-------------|-----|-----|-----|
| RAPJET-S | SILVER | 210 | 78 | IP22 | 240V | 8.5 | 1400W | 670 | 250 | 300 |
| RAPJET-W | WHITE | 210 | 78 | IP22 | 240V | 8.5 | 1400W | 670 | 250 | 300 |

**Refers to weight (kg)
All dimensions in mm

COMPONENTS

1. Countdown Indicator
2. Sensor
3. Air Outlet
4. Side Window
5. Power Switch
6. Heat Switch
7. Lighting Screen
8. Front Cover
9. Excess Water Tray





RAPID DRY

HAND DRYER



The Rapid Dry is part of the smart hand dryer range by Fantech Trade. They are equipped with digital circuit controls and advanced infrared auto sensing technologies. These hand dryers require minimal maintenance and include a robust design that delivers long term performance.

- Advanced infrared auto sensing technology
- Hygienic hands free operation
- Concentrated air flow for rapid drying times
- Casing made from easy to clean 304 stainless steel
- Water resistant design for a longer lifespan
- Efficient motor for high performance and low power consumption
- Plug and lead included as standard
- Auto-reset internal thermal protection
- Warm or cold air function

ENERGY SAVING

The Rapid Dry features a unique high-speed motor that has a low overall power consumption and a round nozzle for concentrated air flow and quick drying time. It can complete the drying process in half the time of a regular hand dryer with half the energy consumption.

SAFE

This smart hand dryer has multiple safety features that protect the unit against over heating and electrical surges. This extends the lifespan of the unit and keeps the user safe.

STRONG

The streamline shell is made from robust 304 grade stainless steel. This enclosed casing protects the technology within and is easy to maintain.

HYGIENIC

Its easy to clean design, non-touch operation and anti-bacterial filter makes the Rapid Dry perfect for areas with strict hygiene requirements.

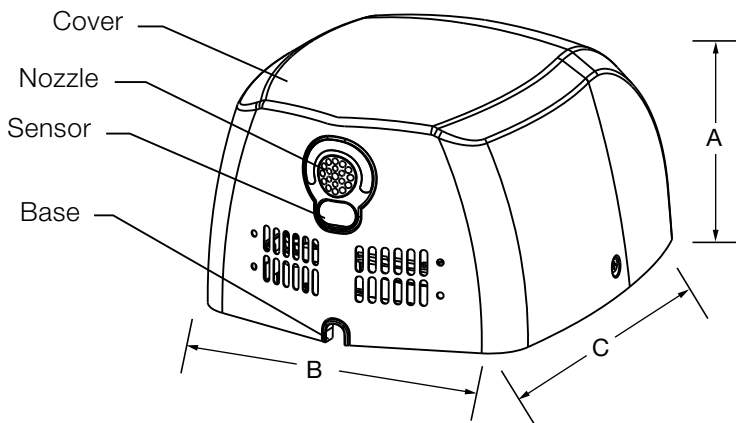




SMART

Accurate and reliable air control is a result of a built in smart microchip and advanced infrared technology. To use, simply bring your hands within 10cm from the nozzle and the Rapid Dry will automatically start to blow warm air. Once your hands are dry, just move them away from the unit and operation will stop within one second.

Components



| MODEL NO. | M ³ /HR | IP RATING | VOLTS | FREQUENCY | KG** | RATED POWER | A | B | C |
|-----------|--------------------|-----------|-------|-----------|------|-------------|-----|-----|-----|
| RAPDRY-SS | 89 | IP22 | 240V | 50Hz | 3.4 | 900W | 169 | 252 | 300 |

**Refers to weight (kg)
All dimensions in mm



Brushed Chrome



White

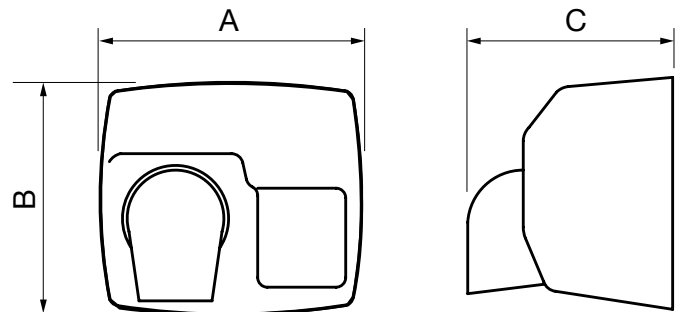
HAND DRYERS

**POWERFUL
AIR FLOW**

**MADE
TOUGH**

Available in white or brushed chrome, our range of automatic hand dryers provide a cost effective and hygienic means of non-touch hand drying. Suitable for public amenities, food prep areas, hospitals and schools.

- Available in white epoxy paint or brushed chrome finish.
- Automatic infrared on/off activation.
- 360° nozzle rotation to provide face or hand drying.
- Drying cycle of approximately 15 seconds.
- Self-resetting thermal overload protection.
- Automatic cut-off after 60 seconds of continuous use.
- 220-240V, single-phase, 50Hz.



| MODEL NO. | STYLE | A | B | C |
|-----------|----------------|-----|-----|-----|
| HHD2500RB | Brushed Chrome | 270 | 240 | 212 |
| HHD2500RW | White | 270 | 240 | 212 |

All dimensions in mm

| MODEL NO. | M ³ /HR | L/SEC | FAN SPEED, RPM | AVG. dB(A) @1M | WEIGHT KG** |
|-----------|--------------------|-------|----------------|----------------|-------------|
| HHD2500RB | 270 | 75 | 8300 | 74 | 6.3 |
| HHD2500RW | 270 | 75 | 8300 | 74 | 6.3 |

**Refers to weight (kg)

Vandal resistant, robust heavy duty steel casing.