

# HV WALL FAN

1

YEAR WARRANTY

IP55

MOTOR IP RATING

The HV wall mounted fan is designed to ventilate large buildings where high air volumes are required at low pressure. Comes with heavy duty mechanical backdraft shutters to prevent weather ingress when the fan is switched off.

## Different sizes

The HV range is available in three sizes; 800mm, 1000mm and 1250mm diameter. They come with safety guards, a hard wearing stainless steel impeller, and are ideal for warehouses, large workshops, poultry sheds and recreation halls.

## High air flow, low noise

This powerful fan produces air volumes up to 12m<sup>3</sup>/s. The drive mechanism includes sealed for life, maintenance free ball bearings, which deliver low noise and vibration levels.

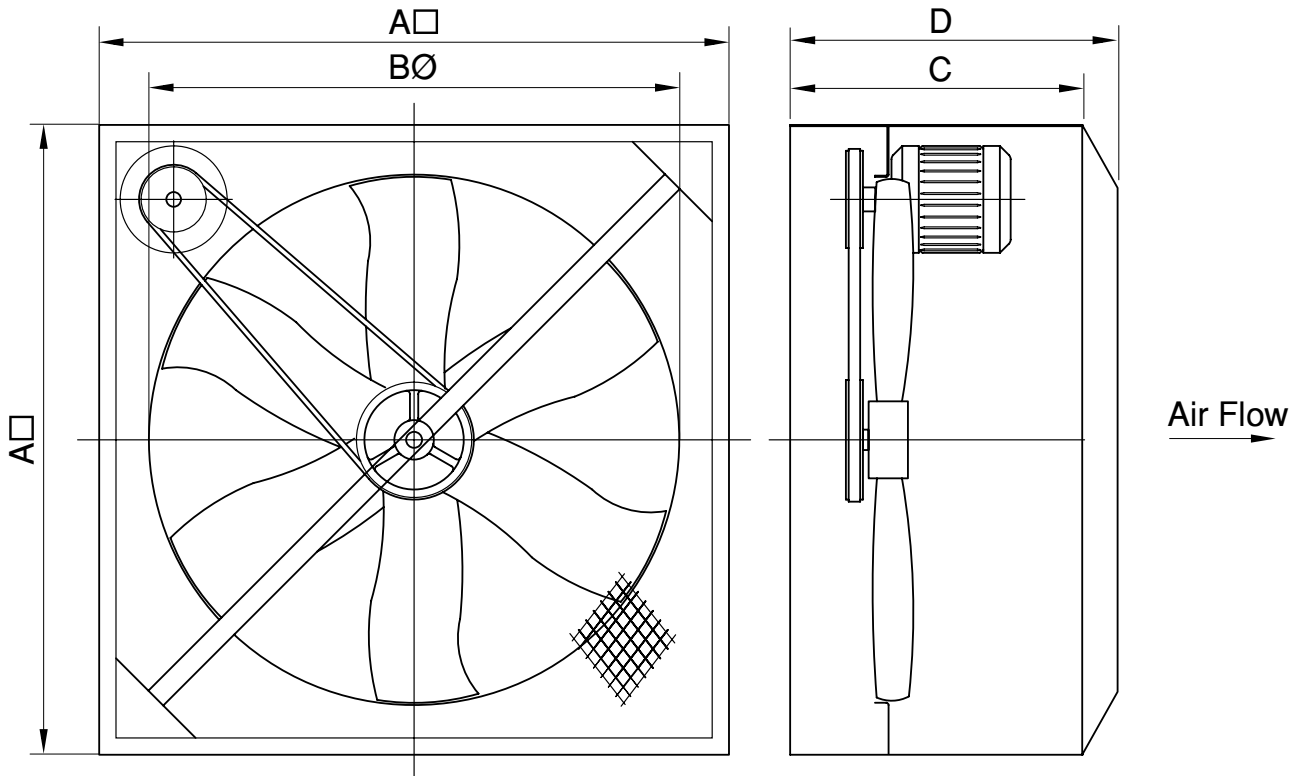
## Fitted with guards and shutters

Fitted with mesh safety guards and heavy duty shutters to reduce heat loss.

## Made for the long haul

Constructed from galvanised steel with a specially designed stainless steel impeller, these fans are extremely hard wearing and robust in any application.





Model		HV080T007L	HV100T007L	HV125T015L
A (mm)		960	1150	1380
B (mm)		800	1000	1250
C (mm)		330	330	330
D inc louvre & guard (mm)		470	470	470
Weight (kg) inc louvre		44	50	72
Speed (r/min)		630	520	440
Air flow m <sup>3</sup> /s @ Static Pressure (Pa)	0	4.588	7.096	12.104
	20	4.091	6.447	10.863
	40	3.589	5.550	9.465
	60	2.840	4.296	7.866
	80	-	3.139	5.746
	100	-	1.827	3.189
Power (kW)		0.75	0.75	1.5
Avg. dB(A) @ 3m		58	59	63
FLC (amps)		2.0	2.6	3.2
Start (amps)		5.9	7.8	9.6
Power supply		400V/50Hz	400V/50Hz	400V/50Hz

Note: Motor electrical data is approximate, as it varies from one motor manufacturer to another