



HCM

WALL / WINDOW MOUNTED FANS

I Gravity operated louvre shutter prevents the ingress of dust and rain.

2
YEAR WARRANTY

POWERFUL
AIR FLOW

IPX4

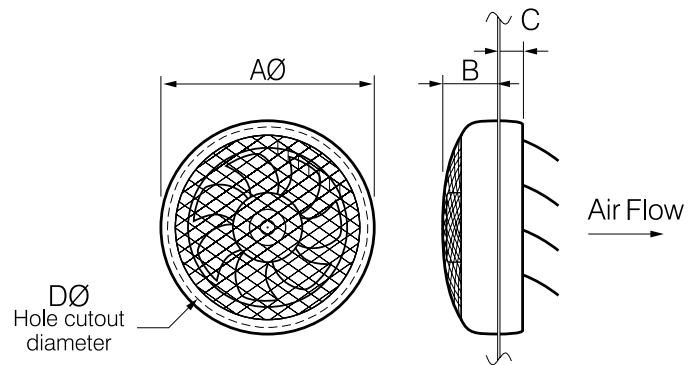
The HCM wall/window mounted fan is suitable for domestic kitchens and bathrooms. It features powerful air flow performance and quiet operation.

- Compact low profile design.
- Quiet operation.
- Can also be skylight mounted (see below).
- Powerful air flow performance.
- Rated “Continuous Run”.
- Wall rods, tubes and plates for wall mounting available in the accessories section.
- 220-240V, single-phase, 50Hz.
- Certificate of Approval number:
 HCM150-N - ESV170211,
 HCM180-N - SAA-162771-EA,
 HCM225-N - SAA-162771-EA.

Note: Must not be mounted directly above heat sources such as an oven.

MODEL NO.	M ³ /HR	L/SEC	FAN SPEED RPM	AVG. dB(A) @ 3M	WATTS	VOLTS	IP RATING
HCM-150N	210	58	1900	41	25	240	IPX4
HCM-180N	380	105	2000	42	28	240	IPX4
HCM-225N	630	175	1700	49	40	240	IPX4

See page 109 for performance curves.



MODEL NO.	AØ	B	C	DØ
HCM-150N	214	63	35	183-188
HCM-180N	255	100	35	220-225
HCM-225N	298	90	35	262-267

All dimensions in mm

OPTIONAL WEATHER CAP

The Weather Cap has been designed for skylight installation. It provides added protection against both wind and rain when the fan is mounted in demanding areas such as high-rise housing, seaside and exposed positions. Another key feature is that it comes with bird wire mesh and is colour matched to the fan.



Model No: HCM-150CAP and HCM-180CAP.