



FLAMEPROOF MINIDUCT SERIES

IN-LINE DUCT MOUNTED FANS

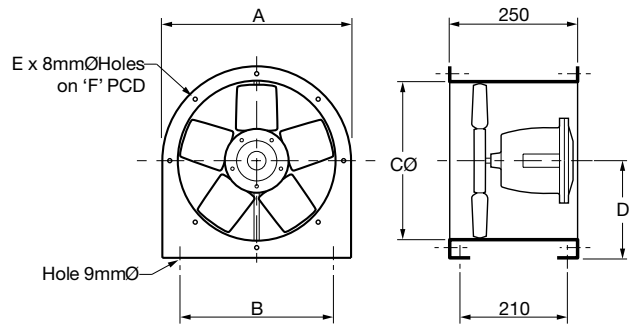


Flameproof Miniduct fans have been specifically designed for duct mounting and to ventilate hazardous or explosive environments. There are 4 sizes in the range extending from 250 to 400mm diameter.

- Galvanised steel casing with red powder coated finish.
- Axial impeller has glass reinforced anti-static blades.
- Suitable for ducted installations.
- Can be mounted at any angle.
- Motors comply with Ex d, Group II, Zone 1, T6 protection.
- Motor fitted with thermal protection to conform to the requirements of AS1359.
- IP66 rated motor.

Model Fpmd...	Air Flow M ³ /Hr	Fan Speed Rev/Sec	Avg Db(A) @ 3M	Fpmd.. 1Ph.		Approx. Wt Kg**
				Watts	Amps	
254	612	23	45	120	1	13
304	1476	23	48	120	1	15
354	2124	23	50	120	1	16
404	2376	23	52	120	1	18

**Refers to weight (kg)



Model No.	A	B	CØ	D	E	F
FPMD254	318	250	260	160	8	285
FPMD304	368	300	310	190	8	340
FPMD354	420	350	360	220	8	395
FPMD404	470	400	410	250	12	438

All dimensions in mm

NOTE

A Hazardous Motor Confirmation form, S12, will need to be signed prior to an order as proof of zone and gas group classification. Call Fantech Trade for this form upon ordering.

ACCESSORIES

- Vibration Isolators
- Matching Flanges (CMF..)
- Run on timer (VZ..)

Contact your local Fantech Trade branch for more information.

See page 116 for performance curves.