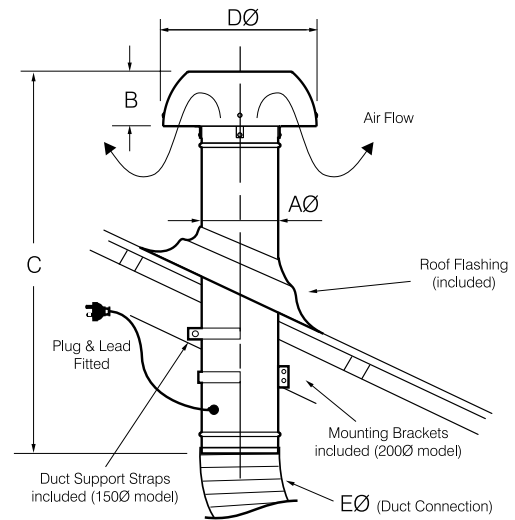




EZIFIT EXHAUST & RELIEF VENT



EZIFIT THRU ROOF

ROOF MOUNTED FAN



Available in metal/deck and tile roof versions, the Ezifit Thru Roof exhaust and supply air fans are easy to install and provide powerful air flow with low noise output. A relief vent version (ie. without the fan) is also available.

- Easy to install design.
- Suits all types of tile or metal roof profiles.
- Roof flashing included (excludes bush fire code compliance models).
- Comes with convenient 3-pin plug and lead.
- Suitable for connection to long duct runs.
- Good installation will provide quiet operation.
- “Continuous rated” motor with safety thermal protection.
- Galvanised metal finish - easy to paint.
- Custom colour available as an optional extra.
- 220-240V, Single-phase, 50Hz.
- Ezifit Relief Vent ideal for 150mm and 200mm duct mounted fan systems.

ACCESSORIES

- Run-on Timers and Speed Controllers.
- Flexible Duct - Fire Rated AS/NZS 4254.
- Internal Grilles.
- Backdraft Damper.

MODEL NO.	TYPE	AØ	B	C	DØ	EØ
ECE152*	Exhaust Fan	140	100	700	285	150
ECE154*	Exhaust Fan	140	100	700	285	150
ECE204*	Exhaust Fan	200	153	750	445	200
ERV150*	Relief Vent	140	100	608	285	150
ERV200*	Relief Vent	200	153	750	445	200

* Nominate roof flashing type: M= Metal/Deck roof, T= Tile roof
All dimensions in mm

MODEL NO.	M ³ /HR [†]	L/SEC [†]	FAN SPEED RPM	AVG. dB(A) @ 3M	WATTS	VOLTS
ECE152*	532	148	2500	44	70	240
ECE154*	277	77	1440	35	30	240
ECE204*	1280	356	1400	46	90	240

[†] Air flow without duct and fittings * Nominate roof flashing type: M = Metal/Deck roof, T= Tile roof; -BFC = Bushfire Code compliant

EZIFIT RELIEF VENT

- Ideal for 150mm & 200mm duct mounted fan systems.
- For dimensions and product codes see above table.

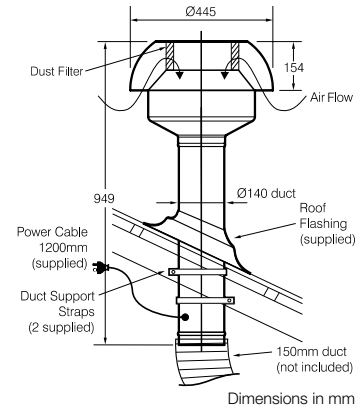
See page 111 for performance curves.

EZIFIT SUPPLY AIR



Model No. ECE152*S
 *Nominate roof flashing type:
 M= Metal/Deck roof, T= Tile roof

- Provides filtered air to internal spaces.
- Designed to provide powerful air flow through 150mm duct to one or more points.
- Suitable for connection to long duct runs.
- Fitted with a G2 dust filter that can be cleaned or replaced.



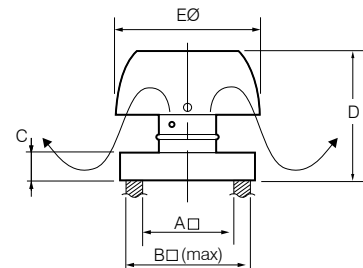
MODEL NO.	M ³ /HR [†]	L/SEC [†]	FAN SPEED RPM	dB(A) @ 3M	WATTS	VOLTS
ECE152S*	461	128	2460	51	110	240

[†] Air flow without duct and fittings * Nominate roof flashing type: M = Metal/Deck roof, T= Tile roof
 See page 111 for performance curves.

EZIFIT WITH BUSHFIRE CODE COMPLIANCE



- Developed and tested for ducted applications in bushfire prone regions.
- Robust, galvanised steel construction.
- High quality bronze mesh provides ember protection.
- Compliant to AS3959:2009 up to and including BAL-40.



MODEL NO.	FAN SPEED RPM	AVG DB(A) @3M	ECE.. 1 PH.		APPROX WEIGHT KG	VOLTS
			WATTS	AMPS		
ECE152-BFC	2460	44	70	0.30	4	240
ECE154-BFC	1380	35	30	0.16	4	240
ECE204-BFC	1360	46	90	0.40	10.5	240

MODEL NO.	AØ	B	C	DØ	EØ
ECE152-BFC	200	265	55	256	286
ECE154-BFC	200	265	55	256	286
ECE204-BFC	350	415	55	315	445

Dimensions in mm