



May be used as the air intake and discharge point where the fan is mounted remotely.

ALPHA

RELIEF AIR VENTS



The Alpha Relief Air Vents have been designed to control air pressure within buildings. They may also be used in a ducted system where the fan is mounted remotely to the cowl. Fitted with bird mesh to eliminate the risk of debris and birds entering the building.

- Lightweight, corrosion-proof construction.
- Can also be used as air intake units.
- Protective bird mesh guards are fitted as standard.
- Base and cowl made of U.V. stabilised plastic.
- Designed for curb mounting.
- Can be mounted at angles up to 30°.

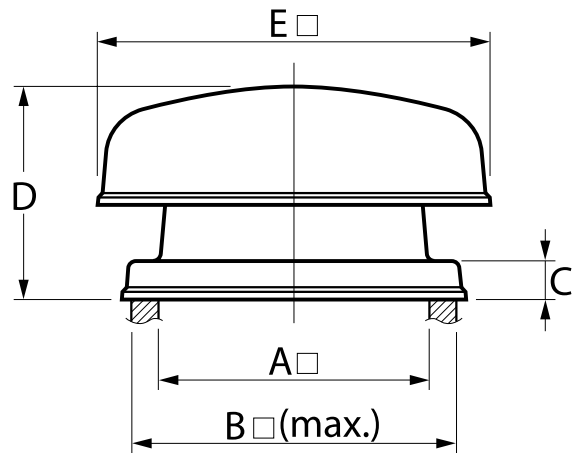
TYPICAL APPLICATION

Exhausting clean air and a range of toxic, noxious and corrosive gases from a wide range of commercial and industrial applications.

ACCESSORIES

- A range of upstands are available. For information on suitable upstands contact your local Fantech Trade branch.

See page 115 for performance curves.



MODEL NO.	A □	B □	C	D	E □	APP. WT. KG**	APP. VOL. M3	MIN. FREE AREA M2
MRV1	210	260	30	200	310	1.0	0.02	0.017
MRV2	350	410	55	350	570	3.0	0.14	0.073

All dimensions in mm
**Refers to weight (kg)