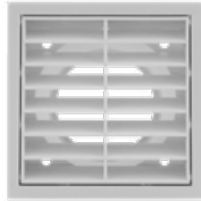


Fan (TEF100)



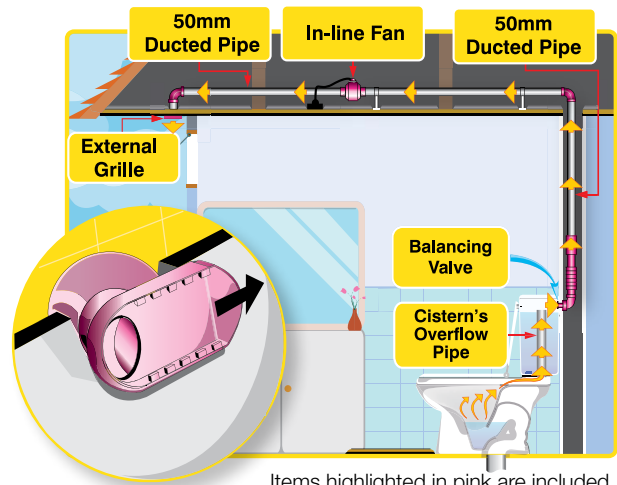
Balancing valve



50mm external wall grille

KIT INCLUDES

- European made in-line fan with spigots
- Balancing valve
- 2 x 50mm diameter X 90° PVC elbow
- 50mm external wall grille
- 50mm diameter PVC socket
- 50mm diameter to 40mm diameter PVC reducer
- 250mm length of 40mm diameter PVC pipe
- 2 x 100mm length of 40mm diameter PVC pipe
- 200mm length of 40mm diameter flexible pipe
- 40mm diameter, 90° PVC elbow
- 2 x Circular cover plate



Items highlighted in pink are included.

ODOURVAC

TOILET VENTILATION



The OdourVac Toilet Ventilation System solves the problem of toilet odour in a quiet, unobtrusive manner. Odours are drawn from the toilet bowl through the cistern's overflow pipe and exhausted by the ducted ventilation system to outside the home. The fan is supplied with a 3-pin plug and lead and is easily activated by using either a light switch, a separate switch or a movement sensor (switches and sensor purchased separately).

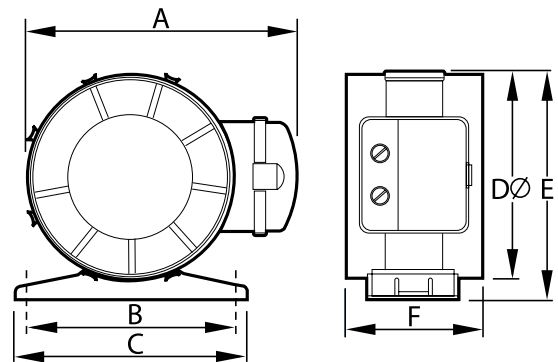
- Creates an odourless toilet by removing odours directly from the toilet bowl.
- Adjustable air flow ensures odours are removed without draft.
- The system complies with AS1668.2-2002 and BCA 2010.
- Compatible with most toilet suites.

BALANCING VALVE

The system features a balancing valve that is fitted within the toilet cistern. It adjusts the air flow to maintain a fresh odour free environment while minimising drafts and noise.

FAN SPECIFICATIONS

MODEL NO.	VOLTAGE	FREQUENCY	INPUT POWER
TEF100	230-240V	50Hz	16W



MODEL NO.	A	B	C	DØ	E	F
TEF100	132	90	113	89	110	67

Dimensions in mm

MODEL NO.	DESCRIPTION
OVK1	OdourVac System
TEF100	Fan only (without spigots)

WANT AN ODOURLESS LOO?

The OdourVac System draws low volumes of air into the pan during use preventing any odour from escaping into the room. This creates an odour free room at all times.

